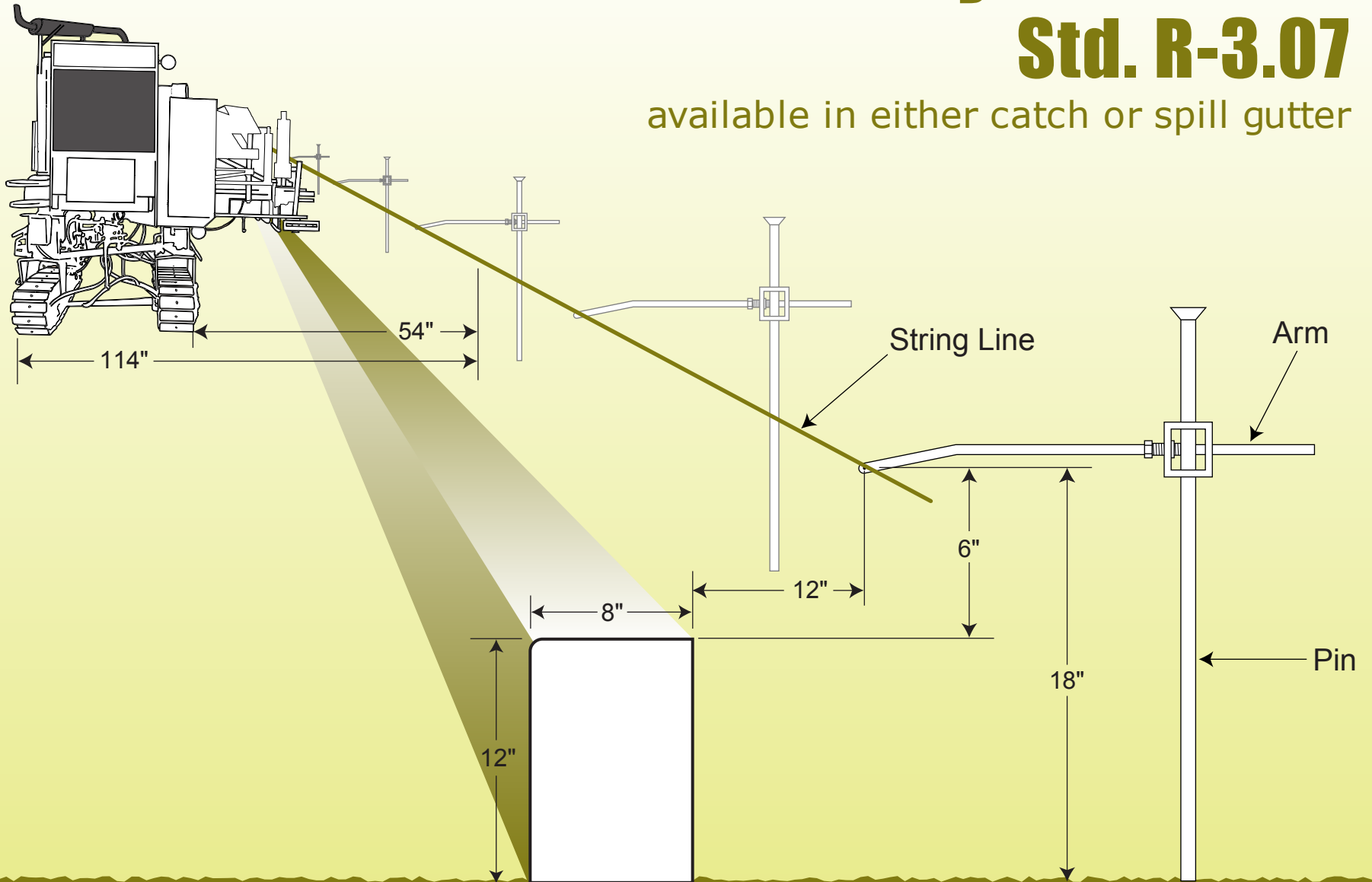


Howard County Flush Curb Std. R-3.07

available in either catch or spill gutter



Ruhlman Bros Inc

65 Musselman Road, Hanover, PA 17331

www.ruhlmanbrothers.com

office: 717-637-3235

fax: 717-637-8669